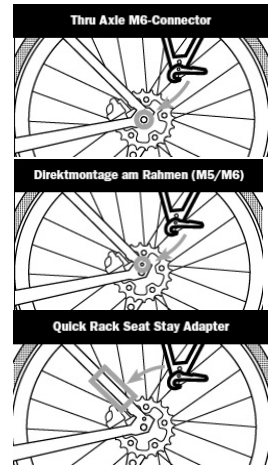
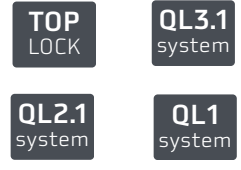
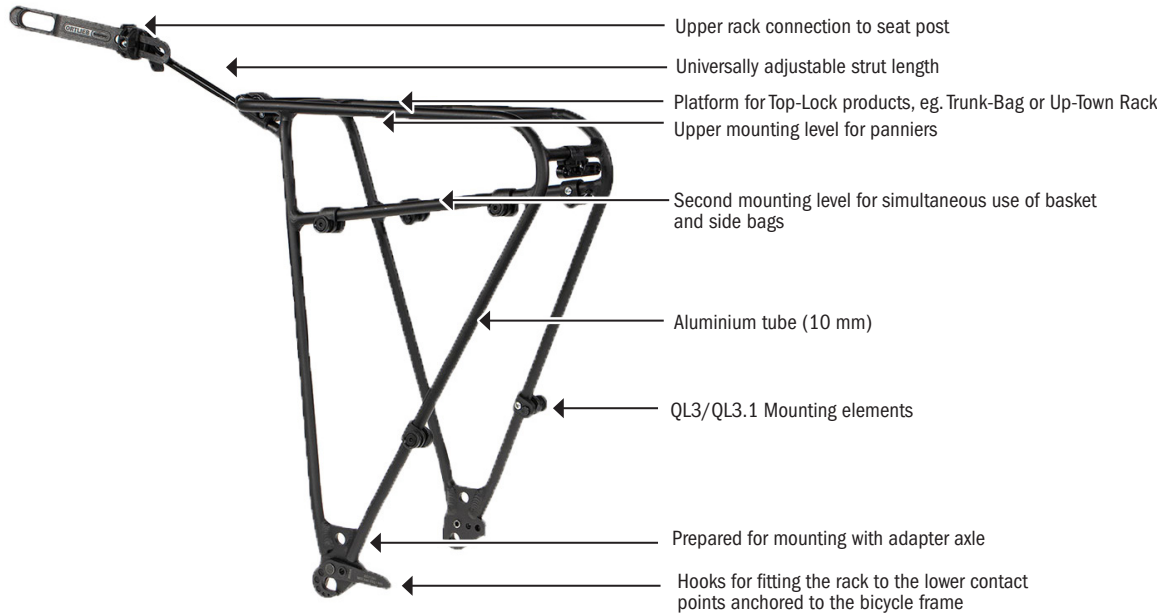


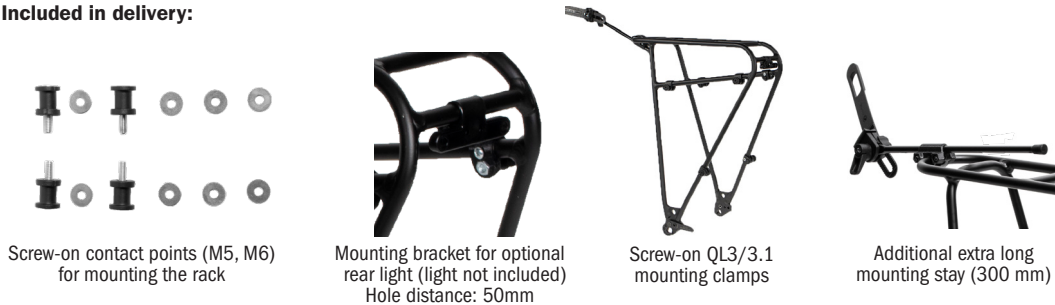
PRODUCT INFO

QUICK-RACK L

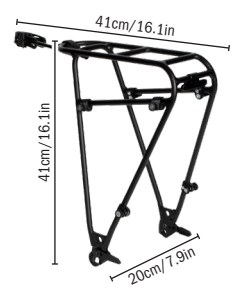
Bike rack with quick release system for rapid installation and removal



Included in delivery:



Dimensions rack:



material	wheel size	tube diameter/mm	max. width/mm	weight g/oz	max. capacity kg/lbs
Aluminium	mx 28"	10	195	605/21.3	20/44.1

SPECIFICATIONS:

- + Lightweight luggage carrier with quick release system for fast mounting and dismounting on the bike
- + 5/15 method, 15 seconds for mounting, 5 seconds for dismounting
- + Quick change from sporty bike to commuter bike
- + Leaves a clean bike, no fixed luggage rack
- + Can be used on carbon seat posts and carbon frames with M5 or M6 threads
- + Can be used on full-suspension bikes
- + Universally adaptable thanks to different strut lengths
- + Touring rack with two mounting levels, e.g. for simultaneous use of basket (Top-Lock product) and QL1/2/2.1 side bags
- + Enables direct attachment of all bags with QL1/2.1/3.1 and Top-Lock system
- + QL3/3.1 mounting elements can be removed
- + Suitable for wheel sizes up to 28"/50mm (2") when mounted via an adapter axle, up to 2.9"/3" when mounted directly or with Seat Stay Adapter
- + Horizontal and vertical struts with 10 mm tube diameter
- + Incl. mounting kit; no additional mounting parts required
- + Preparation for optional rear light (light not included)
- + Maximum load 20 kg

Contents: Rack with mounting material and additional extra long mounting stay (300 mm), Mounting bracket for optional rear light, QL3/QL3.1 mounting clamps

Optional accessory: Quick-Rack Mudguard 38 mm (F78107), 50 mm (F78108) and 72 mm (F78109), Quick-Rack Seat Stay Adapter (F78106); Thru Axle M6-Connector in 1mm (F78112), 1,5mm (F78113), 1,75mm (F78114)

Note: Follow mounting instructions

Attention: Rack is not suitable for mounting and using child seats; To prevent scratches and paint damage, please use frame protection film on the contact points.