

PRODUCT INFO

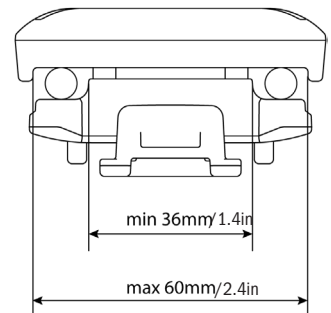
SADDLE-BAG

Saddle-Bag with roll closure in 2 sizes

-  PVC free
-  IP 64
-  PS21
-  PS21R
-  PFAS free



Saddle-Bag Mounting-Set (included)



- ← Snap lock for attaching the bag to the saddle
- ← Hook and loop fastener for additional fixing of the bag to seat post, prevents moving of the bag
- ← Loop for mounting tail light (optional)



- ← Roll closure with buckle
- ← 3M Scotchlite reflector, both sides

height cm/in.	width cm/in.	depth cm/in.	vol. L/cu.in	weight g/oz.	max. capacity kg/lbs.
12/4.7	16/6.3	19/7.5	1.6/98	220/7.8	2/4.4
14/5.5	21/8.3	28/11	4.1/250	260/9.2	2/4.4

SPECIFICATIONS:

- + Waterproof Saddle-Bag in 2 sizes for mountain, road or touring bikes
- + PU-coated nylon fabric
- + Size 1.6 liter perfect for roadbikes and mountain bikes (e.g. for spare tube, pocket tool)
- + Size 4.1 liter provides enough space for a jacket and the necessary small items (alternative to backpack)
- + Roll closure is fixed to sides with buckles
- + No protruding plastic parts on inside
- + Compression straps
- + Daisy chain for tail light
- + Highly effective Scotchlite reflectors ensure safety in the dark
- + On bikes without mudguards the bag shields the rider from splash (4.1 liter version)
- + Snap lock for quick fitting and removal
- + Including adjustable mounting set for fixing under saddle
- + Hook and loop fastener suitable for seat posts up to 34,9 mm (e.g. foldable bike Birdy)
- + Maximum load 2 kg/4 lbs

Contents: Saddle-Bag with mounting set

Optional accessories: Strap set for Saddle-Bag for comfort saddles (No. F96E), Saddle-Bag Mounting-Set (No. E97) for additional bike

Attention: When using on carbon saddles and seat posts, use paint protection films to prevent abrasion and long-term damage.

Attention: Not suitable for dropper seat posts

Note: In order to meet standard IP64 (6=dustproof, 4=protected against splash water coming from all directions) the roll closure must be rolled at least 3-4 times.

