

PRODUCT INFO

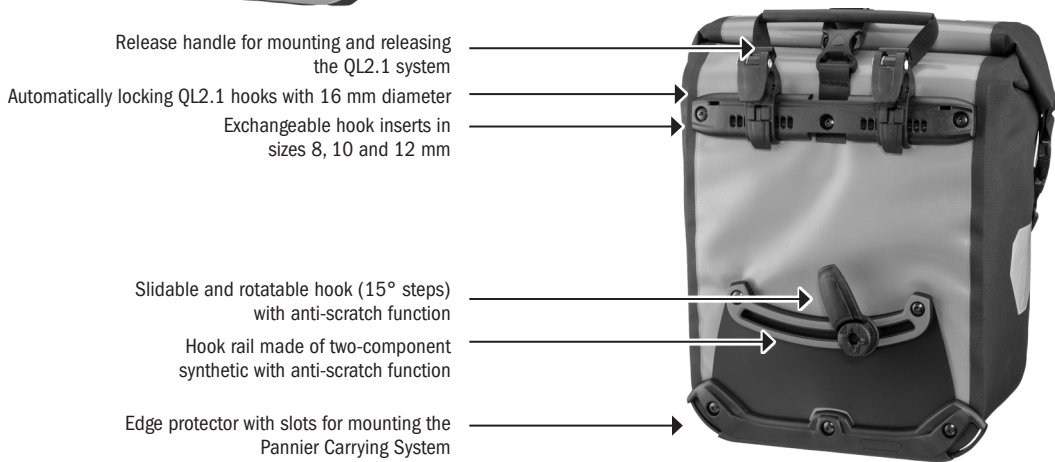
SPORT-ROLLER FREE

Lowrider pannier or rear pannier (pair) with QL2.1 system



- ← Additional closure with buckle and D-ring (when the bag is carried with the shoulder strap)
- ← Buckles for closing the rolling closure at the top or for attaching the shoulder strap
- ← High-quality 3M Scotchlite reflector
- ← Shoulder strap with padding for comfortable carrying or for fixing to the hook

- Anti-scratch
- IP 64
- PS60
- QL2.1 system
- PD62
- PVC free



- Release handle for mounting and releasing the QL2.1 system
- Automatically locking QL2.1 hooks with 16 mm diameter
- Exchangeable hook inserts in sizes 8, 10 and 12 mm
- Slidable and rotatable hook (15° steps) with anti-scratch function
- Hook rail made of two-component synthetic with anti-scratch function
- Edge protector with slots for mounting the Pannier Carrying System

Height cm/in	Width cm/in	Depth cm/in	Volume L/cu.in.	Weight g/oz.	Max. capacity kg/lbs.
37/14.6	26/10.2	12/4.7	29/1770 (pair)	1590/65.1 (pair)	18/39.6 (pair)

SPECIFICATIONS:

- + Classical pannier (pair) with roll closure
- + Can be used individually or as pairs for the rear or lowrider
- + Made of PVC-free, PU-laminated polyester fabric
- + QL2.1 system for racks up to 16 mm
- + 18 & 20 mm hook available as separate accessory (e.g. for e-bikes)
- + Including reduction pieces for tube diameters 8, 10 and 12 mm; with anti-scratch function reducing abrasions on rack
- + Top QL hooks and lower sliding hook adjustable without requiring any tools
- + Lower hook rail made of two-component „hard-soft“ synthetic reduces abrasions on carrier
- + Including integrated inner pocket and shoulder strap
- + Symmetrical shape allows use on right or left side
- + Can be combined on the rack with ORTLIEB Rack-Pack size 24 L or 31 L
- + Highly reflective Scotchlite reflector
- + Ideal for use on children's/youth bicycles
- + Easy to clean inside

Contents: Panniers come as a pair with 2 shoulder straps and reduction inserts for 8, 10 and 12 mm (two pairs per size)

Optional accessories: Pannier Carrying System, Anti-Theft-Device (E124), Outer Pocket 2,1 L, Mesh-Pocket, Bottle-Cage, QL2.1 hook 18 mm (E211) & 20 mm (E193), QL2 Lock / QL2 Lock keyed alike (F3913/F3915)

Attention: Maximum load per pannier is 9kg / 20 lbs. We recommend weighing each loaded pannier to confirm that the maximum allowance of the pannier fixation is not exceeded. This practice is advised for both rear and front panniers. CAUTION: The maximum weight capacity of every carrier model is different. Please observe the maximum weight allowance of the carrier fitted to your bicycle. Note: Sometimes the maximum capacity of the panniers fixing system can exceed the maximum capacity of the carrier. DO NOT exceed the maximum capacity of the carrier! Note, that the use of panniers will significantly influence the handling properties of your bicycle.

Attention: As abrasion cannot be ruled out, we recommend that all points where the mounting system contacts the bicycle rack or frame be protected by scratch protection film.

Note: In order to meet standard IP64 (6=dustproof 4=protected against splash water coming from all directions) the lid must be rolled 3-4 times.

ORTLIEB Sportartikel GmbH · Rainstrasse 6 · 91560 · Heilsbronn, Germany · T +49 9872 800-0 · F +49 9872 800-266 · E info@ortlieb.com · www.ortlieb.com



**BUILT TO ENDURE.
WATERPROOF.
MADE IN GERMANY.**