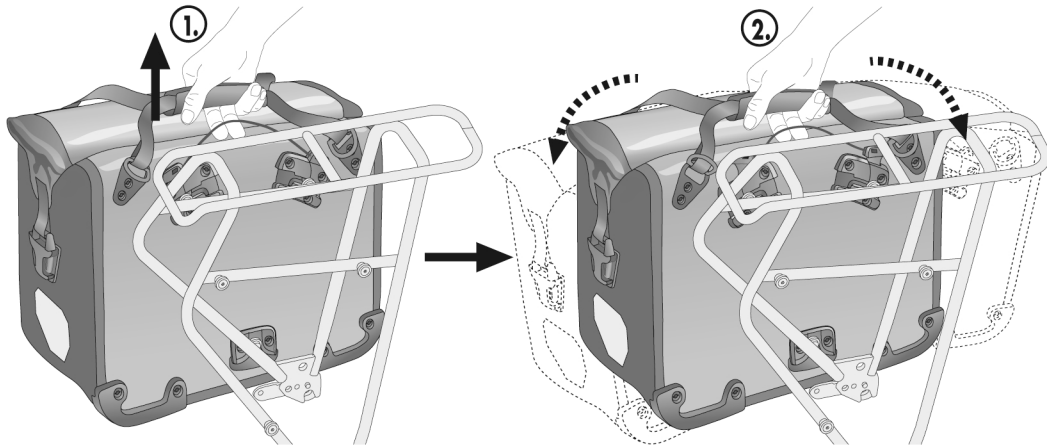
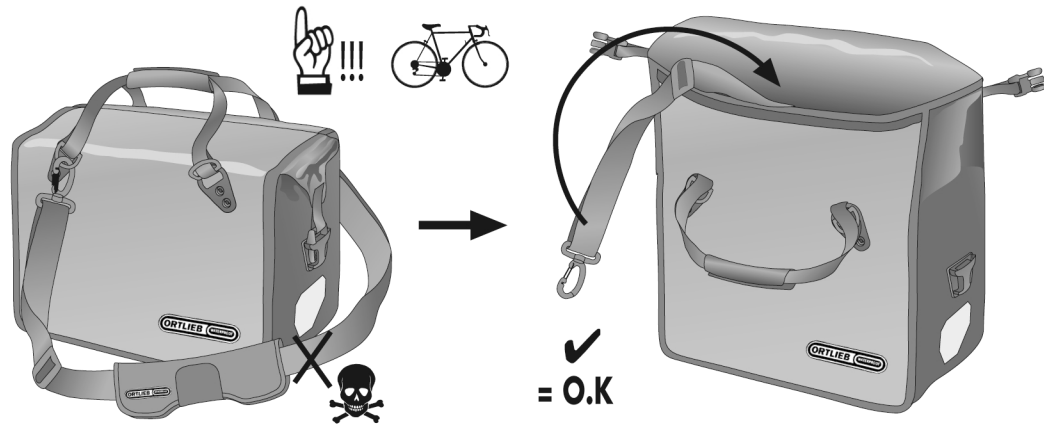


2 DEMOUNT BAG



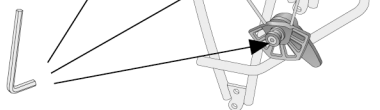
3 CLOSE BAG



CHECK SECURE MOUNTING BEFORE RIDING



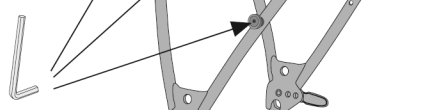
- 1.) 100 km (60 Miles)
- 2.) 500 km (300 Miles)
- 3.) 1000 km (600 Miles)
- 4.) 1500 km (900 Miles)
- etc.



1,5 Nm



- 1.) 100 km (60 Miles)
- 2.) 500 km (300 Miles)
- 3.) 1000 km (600 Miles)
- 4.) 1500 km (900 Miles)
- etc.



1,5 Nm

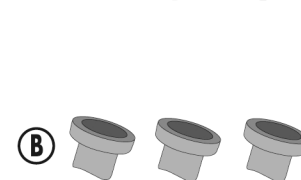
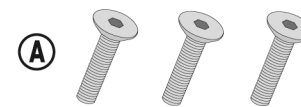
OFFICE-BAG QL3.1

ORTLIEB WATERPROOF



- DE MONTAGEANLEITUNG:
- GB ASSEMBLY INSTRUCTIONS:
- FR INSTRUCTIONS DE MONTAGE:
- IT ISTRUZIONI DI MONTAGGIO:
- NL MONTAGE HANDLEIDING:
- DK MONTERINGSVEJLEDNING:
- ES INSTRUCCIONES DE MONTAJE:
- SE MONTERINGSANVISNING:
- NO MONTERINGSANVISNING:
- FI ASENNUSOHJEET:
- PL INSTRUKCJA MONTAZU:
- JP 装着方法

INHALT:
CONTENTS:
CONTENU:
CONTENUTO:
INHOUD:
INDHOLD:
CONTENTO:
INNEHÅLL:
INNHOLD:
SISÄLLYS:
ZAWARTOSC:
内容物



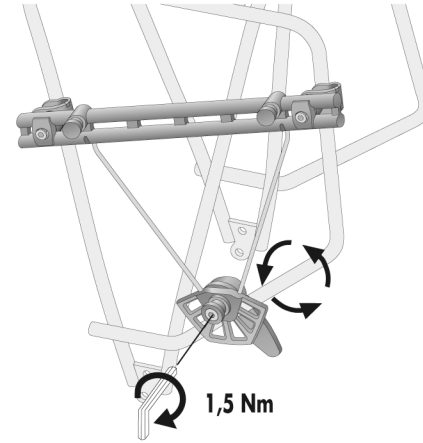
RACK 1 QL3.1 INTEGRATED



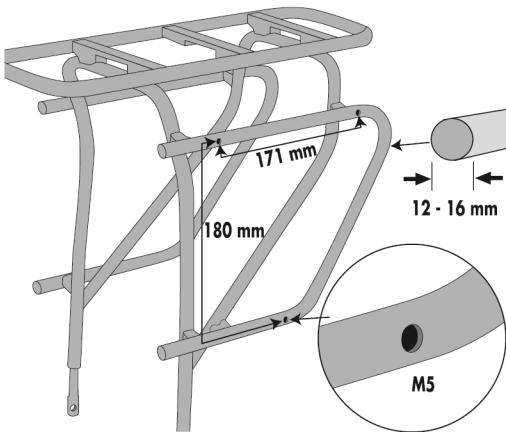
RACK 2 QL3.1 COMPATIBLE



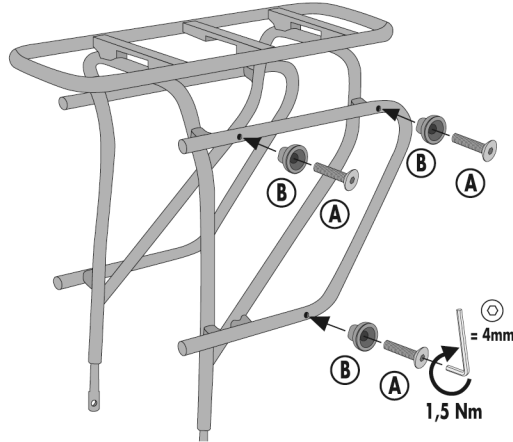
RACK 4.2 MOUNTED ACCESSORIES



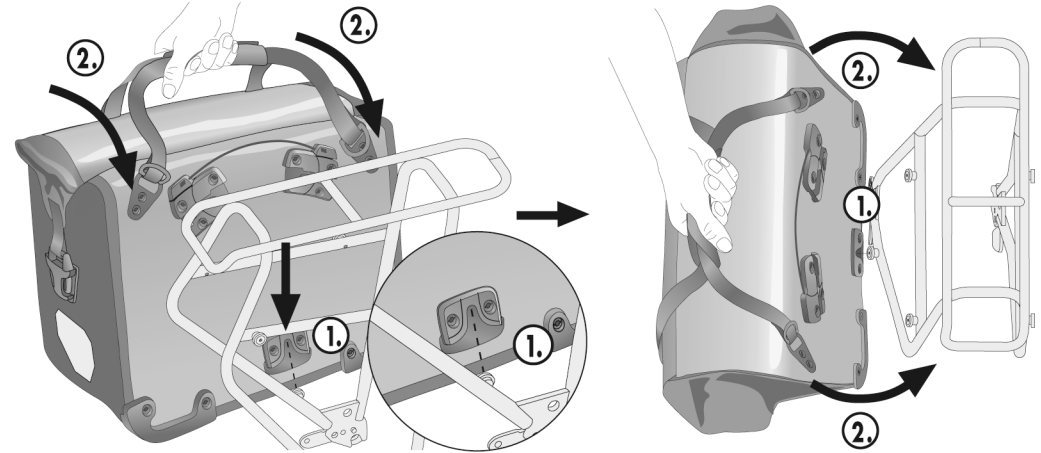
RACK 3 COMPATIBLE MOUNTING POSITION



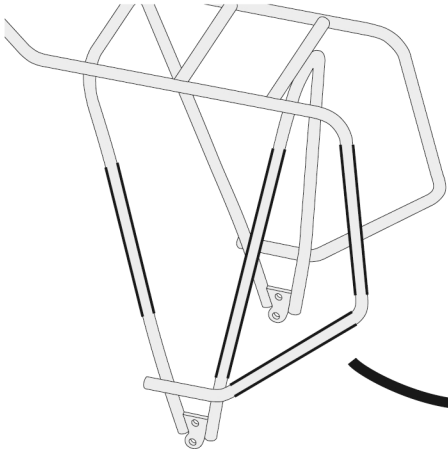
RACK 3.1 MOUNT QL3.1 STUDS



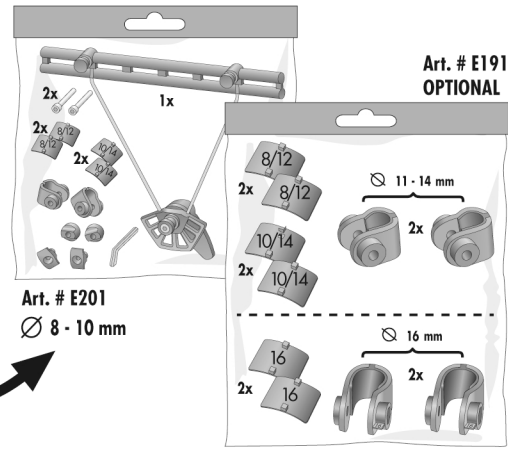
1.1 MOUNT BAG



RACK 4 WITHOUT DIRECT COMPATIBILITY



RACK 4.1 REQUIRED ACCESSORIES



1.2 MOUNT BAG

